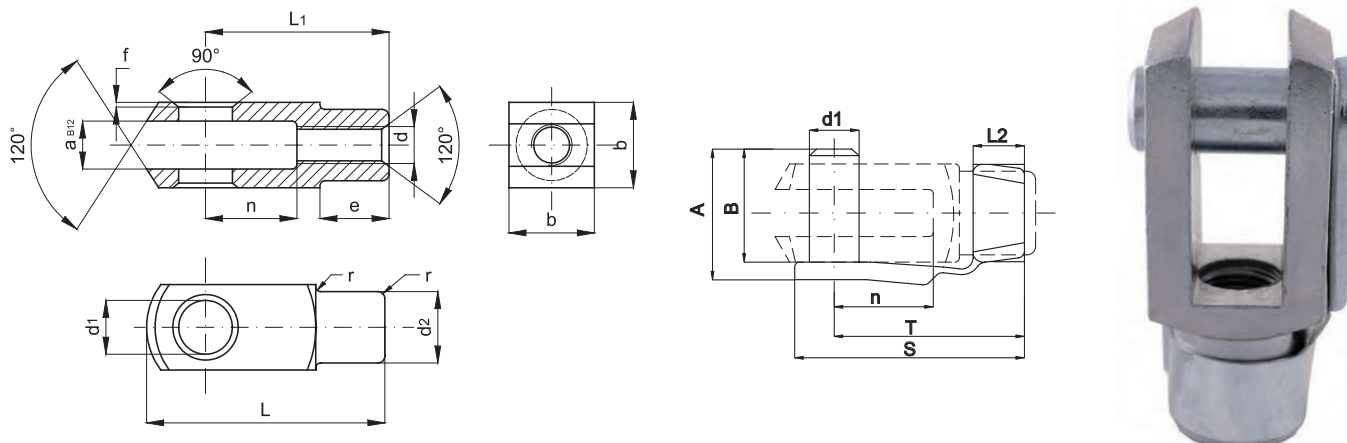


Forcelle ISO - ISO Clevises


 Dati tecnici (ISO 8140)
 Technical features (ISO 8140)


Ø cilindro Cylinder Ø	d	a	A	S	B	b	d ₁	T	L ₂	d ₂	e	f	L	L ₁	n	r
8 - 10	M4x0,7	4	11	19	9	8	4	15	5	8	6	0,5	21	16	8	0,5
12 - 16	M6x1	6	16	28	14	12	6	23	6	10	9	0,5	31	24	12	0,5
20	M8x1,25	8	22	37	19	16	8	31	8	14	12	0,5	42	32	16	0,5
25 - 32	M10x1,25	10	26	46	23	20	10	39	10	18	15	0,5	52	40	20	0,5
40	M12x1,25	12	32	55	28	24	12	47	12	20	18	0,5	62	48	24	0,5
50 - 63	M16x1,5	16	40	72	36	32	16	62	14	26	24	1	83	64	32	1
80 - 100	M20x1,5	20	48	88	44	40	20	72	16	34	30	1	105	80	40	1
125	M27x2	30	-	-	-	55	30	-	-	48	38	1	148	110	54	1
160 - 200	M36x2	35	-	-	-	70	35	-	-	60	40	1	188	144	72	1
250	M42x2	40	104,3	-	-	85	40	-	-	70	63,5	1	232	168	84	5
320	M48x2	50	117,3	-	-	96	50	-	-	82	73	1	265	192	96	5

Acciaio zincato bianco White zinc-plated steel	Codice Code	Articolo Article	Filetto femmina Female Thread	Peso (g) Weight (g)
	72082	FIDFM4x0.7	M4x0.7	7
	72083	FIDFM6x1	M6x1	20
	72084	FIDFM8x1.25	M8x1.25	48
	72085	FIFM10x1.25	M10x1.25	93
	72086	FIFM12x1.25	M12x1.25	154
	72087	FIFM16x1.5	M16x1.5	351
	72088	FIFM20x1.5	M20x1.5	680
	72089	FIFM27x2	M27x2	1790
	72090	FIFM36x2	M36x2	3550
	72091	FIFM42x2	M42x2	6690
	72092	FIFM48x2	M48x2	9954

Materiale: Acciaio zincato bianco
Materials: White zinc-plated steel

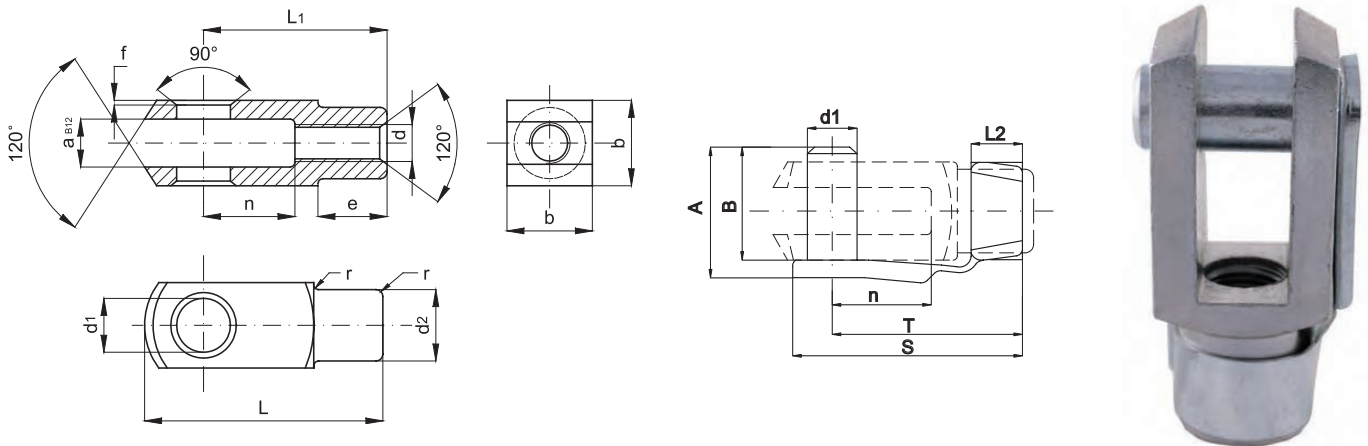
Da M4x0.7 a M20x1.5 con clip
 Da M27x2 a M48x2 con perno e seeger
 Su richiesta possibilità di fornitura della sola forcella
 From M4x0.7 to M20x1.5 with clip
 From M27x2 to M48x2 with pin and seeger
 On request possibility of supplying only the clevis

INOX Stainless steel	Codice Code	Articolo Article	Filetto femmina Female Thread	Peso (g) Weight (g)
	72093	FIDFXM4x0.7	M4x0.7	15
	72094	FIDFXM6x1	M6x1	37
	72095	FIFXM8x1.25	M8x1.25	74
	72096	FIFXM10x1.25	M10x1.25	121
	72097	FIFXM12x1.25	M12x1.25	282
	72098	FIFXM16x1.5	M16x1.5	550
	72099	FIFXM20x1.5	M20x1.5	1100
	72100	FIFXM27x2	M27x2	2400
	72101	FIFXM36x2	M36x2	4930

Materiale: Acciaio inox AISI 316
Materials: Stainless steel AISI 316

Complete di perni e seeger
 Complete with pins and seegers

Forcelle DIN - DIN Clevises


 Dati tecnici (UNI 1676 - DIN 71752)
 Technical features (UNI 1676 - DIN 71752)

Filetto femmina (d) Female Thread (d)	a	A	S	B	b	d ₁	T	L ₂	d ₂	e	f	L	L ₁	n	r
M4x0.7	4	11	9	8	4	19	15	5	8	6	0,5	21	16	8	0,5
M5x0.8	5	13,5	12	10	5	23	19	6	9	7,5	0,5	26	20	10	0,5
M6x1	6	16	14	12	6	28	23	6	10	9	0,5	31	24	12	0,5
M8x1.25	8	22	19	16	8	37	31	8	14	12	0,5	42	32	16	0,5
M10x1.5	10	26	23	20	10	46	39	10	18	15	0,5	52	40	20	0,5
M12x1.75	12	32	28	24	12	55	47	12	20	18	0,5	62	48	24	0,5
M14x2	14	-	-	27	14	-	-	-	24	22,5	1	72	56	28	1
M16x2	16	40	36	32	16	72	62	14	26	24	1	83	64	32	1
M20x2.5	20	48	44	40	20	88	72	16	34	30	1	105	80	40	1
M24x3	25	-	-	50	25	-	-	-	42	36	1	132	100	50	1

Acciaio zincato bianco White zinc-plated steel	Codice Code	Articolo Article	Filetto femmina Female Thread	Peso (g) Weight (g)
	72082	FIDFM4x0.7	M4x0.7	7
	72112	FDFM5x0.8	M5x0.8	12
	72083	FIDFM6x1	M6x1	20
	72084	FIDFM8x1.25	M8x1.25	48
	72114	FDFM10x1.5	M10x1.5	93
	72115	FDFM12x1.75	M12x1.75	154
	72116	FDFM14x2	M14x2	224
	72117	FDFM16x2	M16x2	351
	72118	FDFM20x2.5	M20x2.5	680
72119	FDFM24x3	M24x3	1330	

Materiale: Acciaio zincato bianco
Materials: White zinc-plated steel

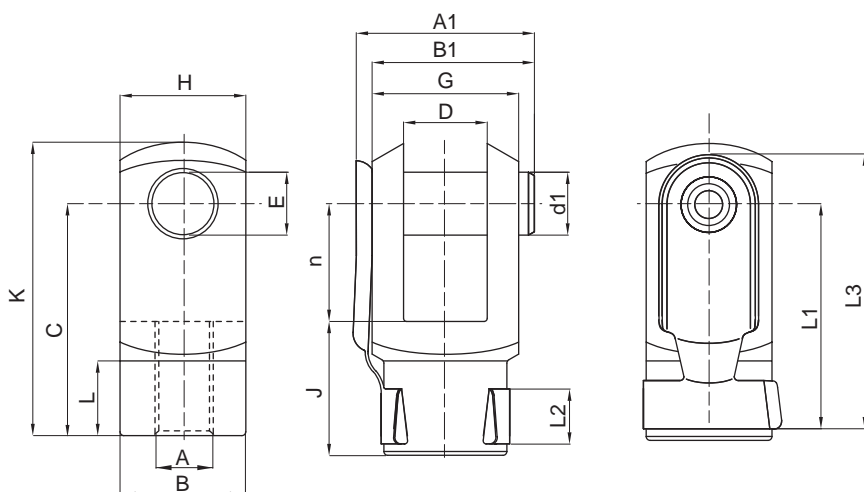
Da M4x0.7 a M20x2.5 con clip
 M24x3 con perno e seeger
 Su richiesta possibilità di fornitura della sola forcella
 From M4x0.7 to M20x2.5 with clip
 M24x3 with pin and seeger
 On request possibility of supplying only the clevis

INOX Stainless steel	Codice Code	Articolo Article	Filetto femmina Female Thread	Peso (g) Weight (g)
	72093	FIDFXM4x0.7	M4x0.7	15
	72120	FDFXM5x0.8	M5x0.8	26
	72094	FIDFXM6x1	M6x1	37
	72121	FDFXM10x1.5	M10x1,5	121
	72122	FDFXM12x1.25	M12x1.75	282
	72123	FDFXM16x2	M16x2	550

Materiale: Acciaio inox AISI 316
Materials: Stainless steel AISI 316

Complete di perni e seeger
 Complete with pins and seegers

Forcelle CNOMO femmina - CNOMO female Clevises


Dati tecnici (CNOMO)
Technical features (CNOMO)

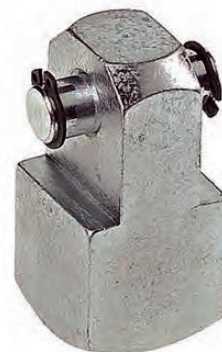
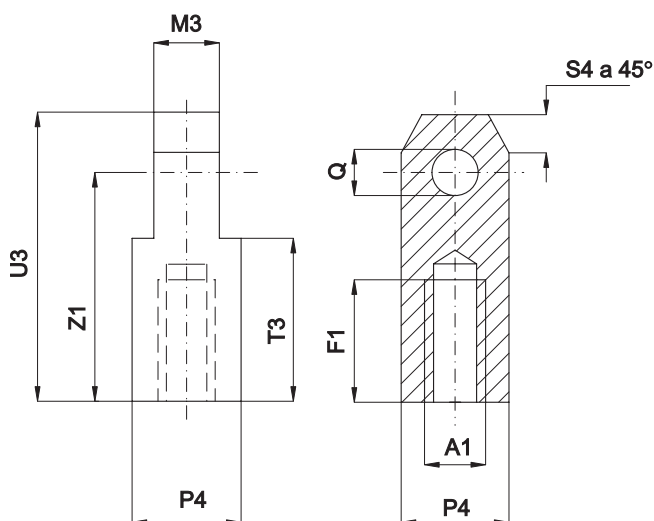
Ø cilindro Cylinder Ø	A	A1	B	B1	C	D	d1	E	G	H	L1	J	L2	K	L3	L	n
25-32	M10x1,5	28	18	25	36	11	8	8	22	22	36	20	10	45	41	14	16
40-50	M16x1,5	44	26	40	51	18	12	12	36	26	50	26	12	64	60	17	25
63-80	M20x1,5	53	34	49	63	22	16	16	45	34	63	30	15	80	74	18,5	33
100-125	M27x2	73	42	69	85	30	20	20	63	42	81	45	19	105	98	30	40
160-200	M36x2	-	50	-	115	40	25	25	80	50	-	75	-	140	-	45	-

Acciaio zincato bianco White zinc-plated steel	Codice Code	Articolo Article	Filetto femmina Female Thread	Peso (g) Weight (g)
	72103	FCNFM10x1.5	M10x1,5	94
	72104	FCNFM16x1.5	M16x1,5	253
	72102	FCNFM20x1.5	M20x1,5	530
	72105	FCNFM27x2	M27x2	1110
	72106	FCNFM36x2	M36x2	2160

Materiale: Acciaio zincato bianco
Materials: White zinc-plated steel

Da M10x1.5 a M27x2 con clip
 M36x2 con perno e due seeger
 Su richiesta possibilità di fornitura della sola forcella
 From M10x1.5 to M27x2 with clip
 M36x2 with pin and two seegers
 On request possibility of supplying only the clevis

Forcelle CNOMO maschio - CNOMO male Clevises


Dati tecnici (CNOMO)
Technical features (CNOMO)

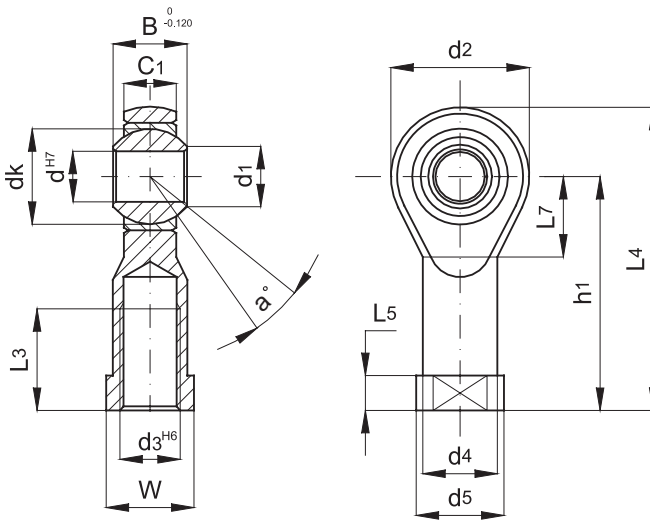
Ø cilindro Cylinder Ø	A1	F1	M3	P4	Q	S4	T3	U3	Z1
25-32	M10x1,5	20	11	22	8	6	25	45	36
40-50	M16x1,5	30	18	32	12	10	34	64	51
63-80	M20x1,5	36	22	36	16	12	41	80	63
100-125	M27x2	50	30	45	20	17,5	58	105	85
160-200	M36x2	70	40	63	25	20	81	140	115

Acciaio zincato bianco White zinc-plated steel	Codice Code	Articolo Article	Filetto femmina Female Thread	Peso (g) Weight (g)
	72107	FCNMM10x1.5	M10x1,5	98
	72108	FCNMM16x1.5	M16x1,5	397
	72109	FCNMM20x1.5	M20x1,5	776
	72110	FCNMM27x2	M27x2	-
	72111	FCNMM36x2	M36x2	-

Materiale: Acciaio zincato bianco
Materials: White zinc-plated steel

Fornita standard con perno e due seeger
 Standard supply with pin and two seeger

Snodi sferici ISO - ISO spherical bearings


 Dati tecnici (ISO 8139 - DIN 648 K)
 Technical features (ISO 8139 - DIN 648 K)


Ø cilindro Cylinder Ø	d	d3	B	C1	d1	d2	d4	d5	dk	h1	L3	L4	L5	L7	W	Carico statico Static load (daN)	a°
8 - 10	5	M4	8	6	7,7	18	9	11	11,112	27	10	36	4	10	9	600	13
12 - 16	6	M6	9	6,75	8,9	20	10	13	12,700	30	12	40	5	11	11	700	13
20	8	M8	12	9	10,4	24	12,50	16	15,875	36	16	48	5	13	14	1200	14
25 - 32	10	M10x1,25	14	10,50	12,9	28	15	19	19,050	43	20	57	6,5	15	17	1400	13
40	12	M12x1,25	16	12	15,4	32	17,50	22	22,225	50	22	66	6,5	17	19	1900	13
50 - 63	16	M16x1,5	21	15	19,3	42	22	27	28,575	64	28	85	8	23	22	4800	15
80 - 100	20	M20x1,5	25	18	24,3	50	27,50	34	34,925	77	33	102	10	27	30	5200	14
125	30	M27x2	37	25	34,8	70	40	50	50,800	110	51	145	15	36	41	10800	17
160 - 200	35	M36x2	43	28	37,7	80	46	58	57,150	125	56	165	17	41	50	12400	19
250	40	M42x2	49	33	45,2	91	53	65	66,670	142	60	187,5	19	45	55	-	17
320	50	M48x2	60	45	56,6	117	65	75	82,500	160	65	218,5	23	58	65	-	12

Acciaio zincato bianco White zinc-plated steel	Codice Code	Articolo Article	Filetto femmina Female Thread	Peso (g) Weight (g)
	72001	TSFM4x0.7	M4x0.7	20
	72002	TSFM6x1	M6x1	25
	72003	TSFM8x1.25	M8x1.25	47
	72004	TSFM10x1.25	M10x1.25	88
	72005	TSFM12x1.25	M12x1.25	140
	72006	TSFM16x1.5	M16x1.5	250
	72007	TSFM20x1.5	M20x1.5	430
	72008	TSFM27x2	M27x2	1200
	72009	TSFM36x2	M36x2	1959
	72010	TSFM42x2	M42x2	-
72011	TSFM48x2	M48x2	-	

Materiale: Corpo: Acciaio zincato e/o nickelato
 Sfera: Acciaio temprato, rettificato e lucidato
 Anello: Bronzo autolubrificante e PTFE

Materials: Body: Zinc and/or nickel plated steel
 Sphere: Hardened ground polished steel
 Ring: Self-lubricating brass and PTFE

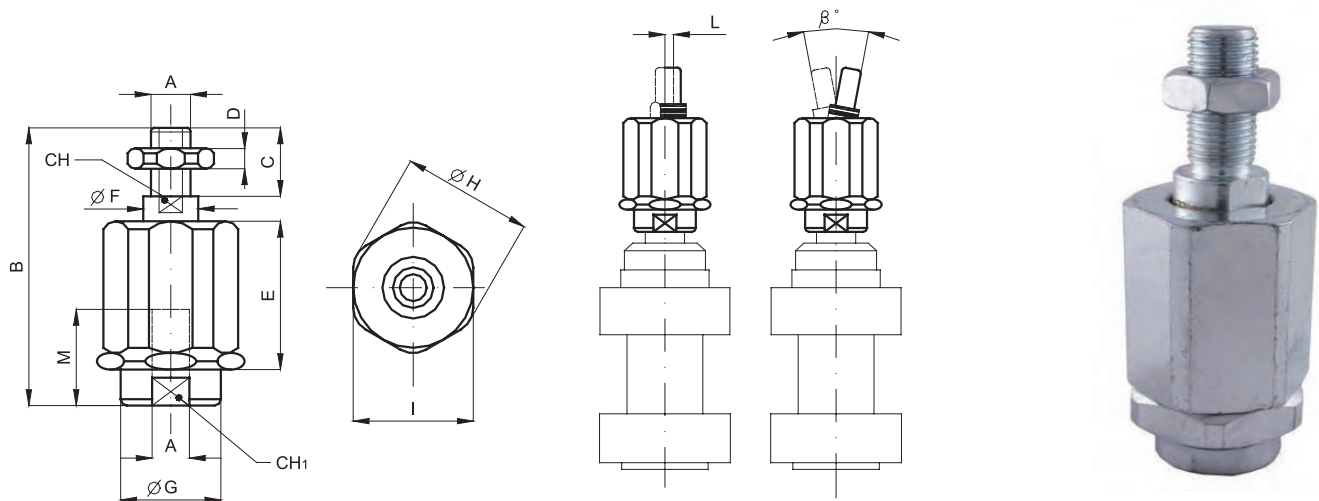
Su richiesta possibilità di fornitura con filetto maschio
 On request possibility of supplying with male thread

INOX Stainless steel	Codice Code	Articolo Article	Filetto femmina Female Thread	Peso (g) Weight (g)
	72012	TSFXM4x0.7	M4x0.7	21
	72013	TSFXM6x1	M6x1	26
	72014	TSFXM8x1.25	M8x1.25	49
	72015	TSFXM10x1.25	M10x1.25	95
	72016	TSFXM12x1.25	M12x1.25	160
	72017	TSFXM16x1.5	M16x1.5	290
	72018	TSFXM20x1.5	M20x1.5	515
	72019	TSFXM27x2	M27x2	1400
	72020	TSFXM36x2	M36x2	2350

Materiale: Corpo: Acciaio inox AISI 431
 Sfera: Acciaio inox AISI 304
 Anello: Acciaio inox AISI 304

Materials: Body: Stainless steel AISI 431
 Sphere: Stainless steel AISI 304
 Ring: Stainless steel AISI 304

Snodi auto allineanti ISO - ISO self-aligned bearings



Dati tecnici															ISO
Technical features															
Ø cilindro Cylinder Ø	A	B	C	D	E	F	G	H	I	L	M	CH	β°	CH1	Carico max (N) in spinta e trazione Maximum load (N) in thrust and traction
8 - 10	M4x0,7	33	8	2,2	15,5	6	8,5	14,5	12	1	10	3,2	10	12	750
12 - 16	M6x1	39	12	3,2	17,5	6	8,5	14,5	13	1	10	5	10	7	1200
20	M8x1,25	55	16	4	24,5	8	12,5	19	17	2	20	7	10	10	2500
25 - 32	M10x1,25	73	20	5	34	14	21	32	30	2	20	12	10	19	5000
40	M12x1,25	77	24	6	34	14	21	32	30	2	20	12	10	19	5000
50 - 63	M16x1,5	108	32	8	54	22	33,5	45	41	2	32	19	10	30	10000
80 - 100	M20x1,5	122	40	9	54	22	33,5	45	41	2	40	19	10	30	10000
125	M27x2	147	54	13,5	71	-	59	60	55	-	40	24	-	32	-
160-200	M36x2	241	72	14	125	-	56	80	75	-	40	36	-	50	-
250	M42x2	271	82	16	148	-	64	98	85	-	40	36	-	60	-
320	M48x2	271	82	18	-	-	-	-	90	-	40	42	-	60	-

Acciaio zincato bianco White zinc-plated steel	Codice Code	Articolo Article	Filetto femmina Female Thread	Peso (g) Weight (g)
	72021	SAMFM4x0.7	M4x0.7	20
	72022	SAMFM6x1	M6x1	30
	72023	SAMFM8x1.25	M8x1.25	60
	72024	SAMFM10x1.25	M10x1.25	220
	72025	SAMFM12x1.25	M12x1.25	230
	72026	SAMFM16x1.5	M16x1.5	660
	72027	SAMFM20x1.5	M20x1.5	700
	72028	SAMFM27x2	M27x2	1600
	72037	SAMFM36x2	M36x2	5100
	72038	SAMFM42x2	M42x2	9200
72039	SAMFM48x2	M48x2	-	

Materiale: Acciaio zincato bianco
Materials: White zinc-plated steel

INOX Stainless steel	Codice Code	Articolo Article	Filetto femmina Female Thread	Peso (g) Weight (g)
	72029	SAMFXM4x0.7	M4x0.7	25
	72030	SAMFXM6x1	M6x1	40
	72031	SAMFXM8x1.25	M8x1.25	70
	72032	SAMFXM10x1.25	M10x1.25	280
	72033	SAMFXM12x1.25	M12x1.25	295
	72034	SAMFXM16x1.5	M16x1.5	750
	72035	SAMFXM20x1.5	M20x1.5	910
72036	SAMFXM27x2	M27x2	2250	

Materiale: Acciaio inox AISI 303
Materials: Stainless steel AISI 303

Cerniera femmina in alluminio - Aluminium rear female clevis

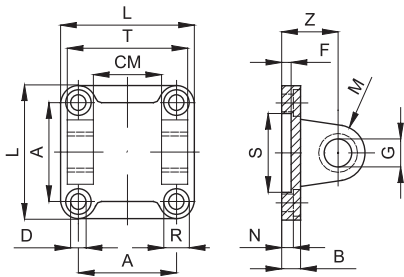
Materiale corpo: Corpo in alluminio pressofuso, perno e viti in acciaio

Body materials: Body die-cast aluminium, pin and screws in steel



Alluminio Aluminium	Codice Code	Articolo Article	Contenuto kit Kit composed by	
	72200	CF032ISOVP	1xCF032ISO + 1xSEC + 4xVITI	1xCF032ISO + 1xSEC + 4xSCREWS
	72201	CF040ISOVP	1xCF040ISO + 1xSEC + 4xVITI	1xCF040ISO + 1xSEC + 4xSCREWS
	72202	CF050ISOVP	1xCF050ISO + 1xSEC + 4xVITI	1xCF050ISO + 1xSEC + 4xSCREWS
	72203	CF063ISOVP	1xCF063ISO + 1xSEC + 4xVITI	1xCF063ISO + 1xSEC + 4xSCREWS
	72204	CF080ISOVP	1xCF080ISO + 1xSEC + 4xVITI	1xCF080ISO + 1xSEC + 4xSCREWS
	72205	CF100ISOVP	1xCF100ISO + 1xSEC + 4xVITI	1xCF100ISO + 1xSEC + 4xSCREWS
	72206	CF125ISOVP	1xCF125ISO + 1xSEC + 4xVITI	1xCF125ISO + 1xSEC + 4xSCREWS
	72207	CF160ISOVP	1xCF160ISO + 1xSEC + 4xVITI	1xCF160ISO + 1xSEC + 4xSCREWS
	72208	CF200ISOVP	1xCF200ISO + 1xSEC + 4xVITI	1xCF200ISO + 1xSEC + 4xSCREWS
72209	CF250ISOVP	1xCF250ISO + 1xSEC + 4xVITI	1xCF250ISO + 1xSEC + 4xSCREWS	
72210	CF320ISOVP	1xCF320ISO + 1xSEC + 4xVITI	1xCF320ISO + 1xSEC + 4xSCREWS	

Alluminio Aluminium	Codice Code	Articolo Article	Contenuto kit Kit composed by	
	72211	CF032ISOV	1xCF032ISO + 4xVITI	1xCF032ISO + 4xSCREWS
	72212	CF040ISOV	1xCF040ISO + 4xVITI	1xCF040ISO + 4xSCREWS
	72213	CF050ISOV	1xCF050ISO + 4xVITI	1xCF050ISO + 4xSCREWS
	72214	CF063ISOV	1xCF063ISO + 4xVITI	1xCF063ISO + 4xSCREWS
	72215	CF080ISOV	1xCF080ISO + 4xVITI	1xCF080ISO + 4xSCREWS
	72216	CF100ISOV	1xCF100ISO + 4xVITI	1xCF100ISO + 4xSCREWS
	72217	CF125ISOV	1xCF125ISO + 4xVITI	1xCF125ISO + 4xSCREWS
	72218	CF160ISOV	1xCF160ISO + 4xVITI	1xCF160ISO + 4xSCREWS
	72219	CF200ISOV	1xCF200ISO + 4xVITI	1xCF200ISO + 4xSCREWS
	72220	CF250ISOV	1xCF250ISO + 4xVITI	1xCF250ISO + 4xSCREWS
72221	CF320ISOV	1xCF320ISO + 4xVITI	1xCF320ISO + 4xSCREWS	



Dati tecnici (ISO MP2)
Technical features (ISO MP2)



Per Ø For Ø	A	L	D	R	N	B	S	F	Z	G	M	CM	T	Peso (g) Weight (g)
32	32,5	45	6,6	11	5,5	9	30	5	22	10	10	26	45	-
40	38	52	6,6	11	5,5	9	35	5	25	12	12	28	52	-
50	46,5	65	9	15	6,5	11	40	5	27	12	12	32	60	-
63	56,5	75	9	15	6,5	11	45	5	32	16	16	40	70	-
80	72	95	11	18	10	14	45	5	36	16	16	50	90	-
100	89	115	11	18	10	14	55	5	41	20	20	60	110	-
125	110	140	14	20	10	20	60	7	50	25	25	70	130	-
160	140	180	18	26	10	20	65	7	55	30	25	90	170	-
200	175	220	18	26	11	25	75	7	60	30	25	90	170	-
250	220	270	22	33	11	25	90	11	70	40	40	110	200	-
320	270	350	26	39	15	30	110	11	80	45	45	120	220	-

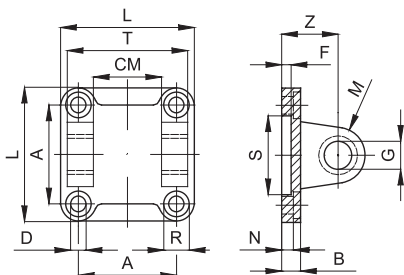
Cerniera femmina in acciaio - Steel rear female clevis

Materiale corpo: Corpo in acciaio A 105, cataforesi nera, viti in acciaio

Body materials: Body in steel A 105, black cataphoresis, screws in steel



Acciaio Steel	Codice Code	Articolo Article	Contenuto kit Kit composed by	
	72222	CF032AISOV	1xCF032AISO + 4xVITI	1xCF032AISO + 4xSCREWS
	72223	CF040AISOV	1xCF040AISO + 4xVITI	1xCF040AISO + 4xSCREWS
	72224	CF050AISOV	1xCF050AISO + 4xVITI	1xCF050AISO + 4xSCREWS
	72225	CF063AISOV	1xCF063AISO + 4xVITI	1xCF063AISO + 4xSCREWS
	72226	CF080AISOV	1xCF080AISO + 4xVITI	1xCF080AISO + 4xSCREWS
	72227	CF100AISOV	1xCF100AISO + 4xVITI	1xCF100AISO + 4xSCREWS
	72228	CF125AISOV	1xCF125AISO + 4xVITI	1xCF125AISO + 4xSCREWS
	72229	CF160AISOV	1xCF160AISO + 4xVITI	1xCF160AISO + 4xSCREWS
	72230	CF200AISOV	1xCF200AISO + 4xVITI	1xCF200AISO + 4xSCREWS
	72420	CF250AISOV	1xCF250AISO + 4xVITI	1xCF250AISO + 4xSCREWS
	72421	CF320AISOV	1xCF320AISO + 4xVITI	1xCF320AISO + 4xSCREWS



Dati tecnici (ISO MP2)
Technical features (ISO MP2)



Per Ø For Ø	A	L	D	R	N	B	S	F	Z	G	M	CM	T	Peso (g) Weight (g)
32	32,5	45	6,6	11	5,5	10	30	5	22	10	10	26	45	-
40	38	55	6,6	11	5,5	10	35	5	25	12	12	28	52	-
50	46,5	65	9	15	6,5	10	40	5	27	12	12	32	60	-
63	56,5	75	9	15	6,5	12	45	5	32	16	16	40	70	-
80	72	95	11	18	10	14	45	-	36	16	16	50	90	-
100	89	115	11	18	10	16	55	-	41	20	20	60	110	-
125	110	140	14	20	10	20	60	-	50	25	25	70	130	-
160	140	180	18	26	10	20	65	7	55	30	25	90	170	-
200	175	220	18	26	11	20	75	7	60	30	25	90	170	-
250	220	270	22	33	11	25	90	11	70	40	40	110	200	-
320	270	350	26	39	15	30	110	11	80	45	45	120	220	-

Cerniera femmina stretta in alluminio - *Aluminium narrow rear female clevis*

Materiale corpo: Corpo in alluminio pressofuso, perno e viti in acciaio

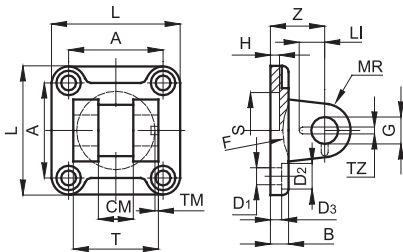
Body materials: *Body die-cast aluminium, pin and screws in steel*



Alluminio Aluminium	Codice Code	Articolo Article	Contenuto kit Kit composed by	
	72251	CFS032ISOVP	1xCFS032ISO + 1xSECAR + 4xVITI	1xCFS032ISO + 1xSECAR + 4xSCREWS
72252	CFS040ISOVP	1xCFS040ISO + 1xSECAR + 4xVITI	1xCFS040ISO + 1xSECAR + 4xSCREWS	
72253	CFS050ISOVP	1xCFS050ISO + 1xSECAR + 4xVITI	1xCFS050ISO + 1xSECAR + 4xSCREWS	
72254	CFS063ISOVP	1xCFS063ISO + 1xSECAR + 4xVITI	1xCFS063ISO + 1xSECAR + 4xSCREWS	
72255	CFS080ISOVP	1xCFS080ISO + 1xSECAR + 4xVITI	1xCFS080ISO + 1xSECAR + 4xSCREWS	
72256	CFS100ISOVP	1xCFS100ISO + 1xSECAR + 4xVITI	1xCFS100ISO + 1xSECAR + 4xSCREWS	
72257	CFS125ISOVP	1xCFS125ISO + 1xSECAR + 4xVITI	1xCFS125ISO + 1xSECAR + 4xSCREWS	
72258	CFS160ISOVP	1xCFS160ISO + 1xSECAR + 4xVITI	1xCFS160ISO + 1xSECAR + 4xSCREWS	
72259	CFS200ISOVP	1xCFS200ISO + 1xSECAR + 4xVITI	1xCFS200ISO + 1xSECAR + 4xSCREWS	
72418	CFS250ISOVP	1xCFS250ISO + 1xSECAR + 4xVITI	1xCFS250ISO + 1xSECAR + 4xSCREWS	



Alluminio Aluminium	Codice Code	Articolo Article	Contenuto kit Kit composed by	
	72260	CFS032ISOV	1xCFS032ISO + 4xVITI	1xCFS032ISO + 4xSCREWS
72261	CFS040ISOV	1xCFS040ISO + 4xVITI	1xCFS040ISO + 4xSCREWS	
72262	CFS050ISOV	1xCFS050ISO + 4xVITI	1xCFS050ISO + 4xSCREWS	
72263	CFS063ISOV	1xCFS063ISO + 4xVITI	1xCFS063ISO + 4xSCREWS	
72264	CFS080ISOV	1xCFS080ISO + 4xVITI	1xCFS080ISO + 4xSCREWS	
72265	CFS100ISOV	1xCFS100ISO + 4xVITI	1xCFS100ISO + 4xSCREWS	
72266	CFS125ISOV	1xCFS125ISO + 4xVITI	1xCFS125ISO + 4xSCREWS	
72267	CFS160ISOV	1xCFS160ISO + 4xVITI	1xCFS160ISO + 4xSCREWS	
72268	CFS200ISOV	1xCFS200ISO + 4xVITI	1xCFS200ISO + 4xSCREWS	
72419	CFS250ISOV	1xCFS250ISO + 4xVITI	1xCFS250ISO + 4xSCREWS	

Dati tecnici (ISO AB6 - DIN 648K)
Technical features (ISO AB6 - DIN 648 K)


Per Ø For Ø	L	T	CM	A	Z	H	B	TM	S	G	MR	D1	D2	D3	TZ	LI	F	Peso (g) Weight (g)
32	45	34	14	32,5	22	5	9	3	30	10	10	6,6	11	5,5	3,3	11,5	17	-
40	52	40	16	38	25	5	9	4	35	12	12	6,6	11	5,5	4,3	12	20	-
50	65	45	21	46,5	27	5	11	4	40	16	14	9	15	6,5	4,3	14	22	-
63	75	51	21	56,5	32	5	11	4	45	16	18	9	15	6,5	4,3	14	25	-
80	95	65	25	72	36	5	14	4	45	20	20	11	18	10	4,3	16	30	-
100	115	75	25	89	41	5	14	4	55	20	22	11	18	10	6,3	16	32	-
125	140	97	37	110	50	7	20	6	60	30	25	14	20	10	6,3	24	42	-
160	180	122	43	140	55	7	20	6	65	35	30	18	26	10	6,3	26,5	46	-
200	220	122	43	175	60	7	25	6	75	35	30	18	26	11	6,3	26,5	49	-
250	270	125	49	220	70	11	25	8,5	90	40	40	22	33	11	8,3	32	55	-

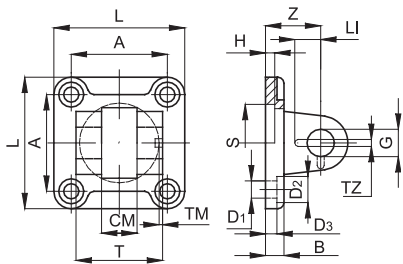
Cerniera femmina stretta in acciaio - *Steel narrow rear female clevis*

Materiale corpo: Corpo in acciaio A 105, cataforesi nera, viti in acciaio

Body materials: *Body in steel A 105, black cataphoresis, screws in steel*



Acciaio Steel	Codice Code	Articolo Article	Contenuto kit Kit composed by	
	72269	CFS032AISOV	1xCFS032AISO + 4xVITI	1xCFS032AISO + 4xSCREWS
72270	CFS040AISOV	1xCFS040AISO + 4xVITI	1xCFS040AISO + 4xSCREWS	
72271	CFS050AISOV	1xCFS050AISO + 4xVITI	1xCFS050AISO + 4xSCREWS	
72272	CFS063AISOV	1xCFS063AISO + 4xVITI	1xCFS063AISO + 4xSCREWS	
72273	CFS080AISOV	1xCFS080AISO + 4xVITI	1xCFS080AISO + 4xSCREWS	
72274	CFS100AISOV	1xCFS100AISO + 4xVITI	1xCFS100AISO + 4xSCREWS	
72275	CFS125AISOV	1xCFS125AISO + 4xVITI	1xCFS125AISO + 4xSCREWS	


Dati tecnici (ISO AB6 - DIN 648K)
Technical features (ISO AB6 - DIN 648 K)


Per Ø For Ø	A	L	D	R	N	B	S	F	Z	G	M	CM	T	Peso (g) Weight (g)
32	32,5	45	6,6	11	5,5	10	30	5	22	10	10	26	45	-
40	38	55	6,6	11	5,5	10	35	5	25	12	12	28	52	-
50	46,5	65	9	15	6,5	10	40	5	27	12	12	32	60	-
63	56,5	75	9	15	6,5	12	45	5	32	16	16	40	70	-
80	72	95	11	18	10	14	45	-	36	16	16	50	90	-
100	89	115	11	18	10	16	55	-	41	20	20	60	110	-
125	110	140	14	20	10	20	60	-	50	25	25	70	130	-

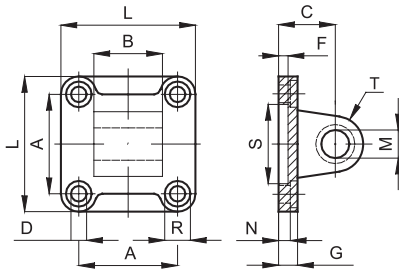
Cerniera maschio in alluminio - Aluminium rear male eye

Materiale corpo: Corpo in alluminio pressofuso, viti in acciaio

Body materials: Body die-cast aluminium, screws in steel



Alluminio Aluminium	Codice Code	Articolo Article	Contenuto kit Kit composed by	
	72231	CM032ISOV	1xCM032ISO + 4xVITI	1xCM032ISO + 4xSCREWS
72232	CM040ISOV	1xCM040ISO + 4xVITI	1xCM040ISO + 4xSCREWS	
72233	CM050ISOV	1xCM050ISO + 4xVITI	1xCM050ISO + 4xSCREWS	
72234	CM063ISOV	1xCM063ISO + 4xVITI	1xCM063ISO + 4xSCREWS	
72235	CM080ISOV	1xCM080ISO + 4xVITI	1xCM080ISO + 4xSCREWS	
72236	CM100ISOV	1xCM100ISO + 4xVITI	1xCM100ISO + 4xSCREWS	
72237	CM125ISOV	1xCM125ISO + 4xVITI	1xCM125ISO + 4xSCREWS	
72238	CM160ISOV	1xCM160ISO + 4xVITI	1xCM160ISO + 4xSCREWS	
72239	CM200ISOV	1xCM200ISO + 4xVITI	1xCM200ISO + 4xSCREWS	
72240	CM250ISOV	1xCM250ISO + 4xVITI	1xCM250ISO + 4xSCREWS	
72241	CM320ISOV	1xCM320ISO + 4xVITI	1xCM320ISO + 4xSCREWS	

**Dati tecnici (ISO MP4)
Technical features (ISO MP4)**


Per Ø For Ø	A	L	D	R	N	G	S	F	C	M	T	B	Peso (g) Weight (g)
32	32,5	45	6,6	11	5,5	9	30	5	22	10	10	26	-
40	38	52	6,6	11	5,5	9	35	5	25	12	12	28	-
50	46,5	65	9	15	6,5	11	40	5	27	12	12	32	-
63	56,5	75	9	15	6,5	11	45	5	32	16	16	40	-
80	72	95	11	18	10	14	45	5	36	16	16	50	-
100	89	115	11	18	10	14	55	5	41	20	20	60	-
125	110	140	14	20	10	20	60	7	50	25	25	70	-
160	140	180	18	26	10	20	65	7	55	30	25	90	-
200	175	220	18	26	11	25	75	7	60	30	25	90	-
250	220	270	22	33	11	25	90	11	70	40	40	110	-
320	270	350	26	39	15	30	110	11	80	50	45	120	-

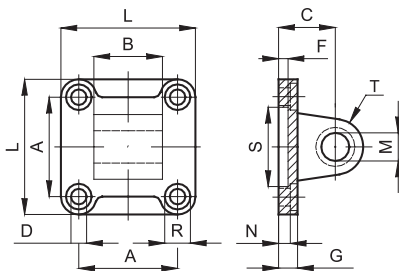
Cerniera maschio in acciaio - Steel rear male eye

Materiale corpo: Corpo in acciaio A 105, cataforesi nera, viti in acciaio

Body materials: Body in steel A 105, black cataphoresis, screws in steel



Acciaio Steel	Codice Code	Articolo Article	Contenuto kit Kit composed by	
	72242	CM032AISOV	1xCM032AISO + 4xVITI	1xCM032AISO + 4xSCREWS
72243	CM040AISOV	1xCM040AISO + 4xVITI	1xCM040AISO + 4xSCREWS	
72244	CM050AISOV	1xCM050AISO + 4xVITI	1xCM050AISO + 4xSCREWS	
72245	CM063AISOV	1xCM063AISO + 4xVITI	1xCM063AISO + 4xSCREWS	
72246	CM080AISOV	1xCM080AISO + 4xVITI	1xCM080AISO + 4xSCREWS	
72247	CM100AISOV	1xCM100AISO + 4xVITI	1xCM100AISO + 4xSCREWS	
72248	CM125AISOV	1xCM125AISO + 4xVITI	1xCM125AISO + 4xSCREWS	
72249	CM160AISOV	1xCM160AISO + 4xVITI	1xCM160AISO + 4xSCREWS	
72250	CM200AISOV	1xCM200AISO + 4xVITI	1xCM200AISO + 4xSCREWS	
72422	CM250AISOV	1xCM250AISO + 4xVITI	1xCM250AISO + 4xSCREWS	
72423	CM320AISOV	1xCM320AISO + 4xVITI	1xCM320AISO + 4xSCREWS	

**Dati tecnici (ISO MP4)
Technical features (ISO MP4)**


Per Ø For Ø	A	L	D	R	N	G	S	F	C	M	T	B	Peso (g) Weight (g)
32	32,5	45	6,6	11	5,5	10	30	5	22	10	10	26	-
40	38	55	6,6	11	5,5	10	35	5	25	12	12	28	-
50	46,5	65	9	15	6,5	10	40	5	27	12	12	32	-
63	56,5	75	9	15	6,5	12	45	5	32	16	16	40	-
80	72	95	11	18	10	14	45	5	36	16	16	50	-
100	89	115	11	18	10	16	55	5	41	20	20	60	-
125	110	140	14	20	10	20	60	7	50	25	25	70	-
160	140	180	18	26	10	20	65	7	55	30	25	90	-
200	175	220	18	26	11	20	75	7	60	30	25	90	-
250	220	270	22	33	11	25	90	11	70	40	40	110	-
320	270	350	26	39	15	30	110	11	80	50	45	120	-

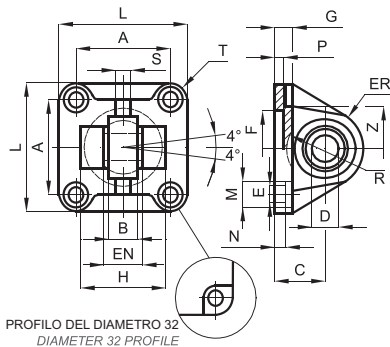
Cerniera maschio stretta in alluminio - *Aluminium narrow rear male eye*

Materiale corpo: Corpo in alluminio pressofuso, viti in acciaio

Body materials: *Body die-cast aluminium, screws in steel*



Alluminio Aluminium	Codice Code	Articolo Article	Contenuto kit Kit composed by	
	72287	CMS032ISOV	1xCMS032ISO + 4xVITI	1xCMS032ISO + 4xSCREWS
72288	CMS040ISOV	1xCMS040ISO + 4xVITI	1xCMS040ISO + 4xSCREWS	
72289	CMS050ISOV	1xCMS050ISO + 4xVITI	1xCMS050ISO + 4xSCREWS	
72290	CMS063ISOV	1xCMS063ISO + 4xVITI	1xCMS063ISO + 4xSCREWS	
72291	CMS080ISOV	1xCMS080ISO + 4xVITI	1xCMS080ISO + 4xSCREWS	
72292	CMS100ISOV	1xCMS100ISO + 4xVITI	1xCMS100ISO + 4xSCREWS	
72293	CMS125ISOV	1xCMS125ISO + 4xVITI	1xCMS125ISO + 4xSCREWS	
72294	CMS160ISOV	1xCMS160ISO + 4xVITI	1xCMS160ISO + 4xSCREWS	
72295	CMS200ISOV	1xCMS200ISO + 4xVITI	1xCMS200ISO + 4xSCREWS	
72296	CMS250ISOV	1xCMS250ISO + 4xVITI	1xCMS250ISO + 4xSCREWS	
72424	CMS320ISOV	1xCMS320ISO + 4xVITI	1xCMS320ISO + 4xSCREWS	



Dati tecnici (ISO MP6 - DIN 648K)
Technical features (ISO MP6 - DIN 648 K)



Per Ø For Ø	A	B	C	D	EN	ER	F	G	E	L	M	N	P	H	R	S	Z	T	Peso (g) Weight (g)
32	32,5	10,5	22	10	14	16	30	9	6,6	45	11	5,5	5	-	-	4	32,5	6,25	-
40	38	12	25	12	16	19	35	9	6,6	52	11	5,5	5	-	-	6	39	7	-
50	46,5	15	27	16	21	21	40	11	9	65	15	6,5	5	51	18	8	47	9,25	-
63	56,5	15	32	16	21	24	45	11	9	75	15	6,5	5	-	-	8	52	9,25	-
80	72	18	36	20	25	28,5	45	14	11	95	18	10	5	72	24	10	67	11,5	-
100	89	18	41	20	25	30	55	14	11	115	18	10	5	-	-	10	77	13	-
125	110	25	50	30	37	40	60	20	13,5	140	20	10	7	-	-	13	98	15	-
160	140	28	55	35	43	45	65	20	18	180	26	10	7	-	-	14	130	20	-
200	175	28	60	35	43	48	75	25	18	220	26	11	7	-	-	14	155	22,5	-
250	220	33	70	40	49	52	90	25	22	270	33	11	11	-	-	19	205	25	-
320	270	45	80	50	60	63	110	30	22	350	33	11	11	-	-	-	-	28	-

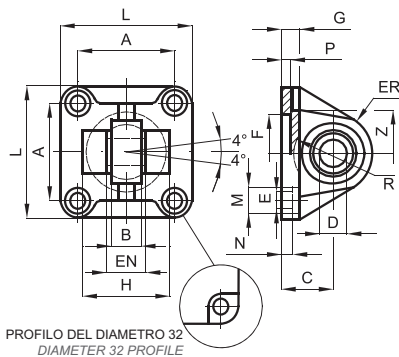
Cerniera maschio stretta in acciaio - *Steel narrow rear male eye*

Materiale corpo: Corpo in acciaio A 105, cataforesi nera, viti in acciaio

Body materials: *Body in steel A 105, black cataphoresis, screws in steel*



Acciaio Steel	Codice Code	Articolo Article	Contenuto kit Kit composed by	
	72297	CMS032AISOV	1xCMS032AISO + 4xVITI	1xCMS032AISO + 4xSCREWS
72298	CMS040AISOV	1xCMS040AISO + 4xVITI	1xCMS040AISO + 4xSCREWS	
72299	CMS050AISOV	1xCMS050AISO + 4xVITI	1xCMS050AISO + 4xSCREWS	
72300	CMS063AISOV	1xCMS063AISO + 4xVITI	1xCMS063AISO + 4xSCREWS	
72301	CMS080AISOV	1xCMS080AISO + 4xVITI	1xCMS080AISO + 4xSCREWS	
72302	CMS100AISOV	1xCMS100AISO + 4xVITI	1xCMS100AISO + 4xSCREWS	
72303	CMS125AISOV	1xCMS125AISO + 4xVITI	1xCMS125AISO + 4xSCREWS	



Dati tecnici (ISO MP6 - DIN 648K)
Technical features (ISO MP6 - DIN 648 K)



Per Ø For Ø	A	B	C	D	EN	ER	F	G	E	L	M	N	P	H	R	Z	Peso (g) Weight (g)
32	32,5	10,5	22	10	14	15	30	9	6,6	45	11	5,5	5	-	-	32,5	-
40	38	12	25	12	16	18	35	9	6,6	52	11	5,5	5	-	-	39	-
50	46,5	15	27	16	21	20	40	11	9	65	15	6,5	5	51	18	47	-
63	56,5	15	32	16	21	23	45	11	9	75	15	6,5	5	-	-	52	-
80	72	18	36	20	25	27	45	14	11	95	18	10	5	72	24	67	-
100	89	18	41	20	25	30	55	14	11	115	18	10	5	-	-	77	-
125	110	25	50	30	37	40	60	20	13,5	140	20	10	7	-	-	98	-

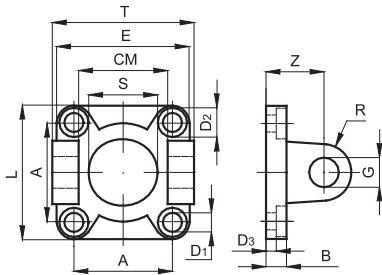
Cerniera femmina anteriore in alluminio - *Aluminium front female clevis*

Materiale corpo: Corpo in alluminio pressofuso, viti in acciaio

Body materials: *Body die-cast aluminium, screws in steel*



Alluminio Aluminium	Codice Code	Articolo Article	Contenuto kit Kit composed by	
	72278	CFA032ISOV	1xCFA032ISO + 4xVITI	1xCFA032ISO + 4xSCREWS
72279	CFA040ISOV	1xCFA040ISO + 4xVITI	1xCFA040ISO + 4xSCREWS	
72280	CFA050ISOV	1xCFA050ISO + 4xVITI	1xCFA050ISO + 4xSCREWS	
72281	CFA063ISOV	1xCFA063ISO + 4xVITI	1xCFA063ISO + 4xSCREWS	
72282	CFA080ISOV	1xCFA080ISO + 4xVITI	1xCFA080ISO + 4xSCREWS	
72283	CFA100ISOV	1xCFA100ISO + 4xVITI	1xCFA100ISO + 4xSCREWS	
72284	CFA125ISOV	1xCFA125ISO + 4xVITI	1xCFA125ISO + 4xSCREWS	
72285	CFA160ISOV	1xCFA160ISO + 4xVITI	1xCFA160ISO + 4xSCREWS	
72286	CFA200ISOV	1xCFA200ISO + 4xVITI	1xCFA200ISO + 4xSCREWS	


**Dati tecnici (ISO MP7)
Technical features (ISO MP7)**


Per Ø For Ø	A	E	D1	D2	D3	B	S	Z	G	R	CM	L	Peso (g) Weight (g)
32	32,5	45	6,6	11	9	10	30	22	10	11	26	45	-
40	38	52	6,6	11	9	10	35	25	12	11	28	52	-
50	46,5	60	9	15	11	12	40	27	12	15	32	60	-
63	56,5	70	9	15	11	12	45	32	16	15	40	70	-
80	72	90	11	18	14	16	45	36	16	18	50	90	-
100	89	110	11	18	14	16	55	41	20	18	60	110	-
125	110	130	14	20	20	22	60	50	25	20	70	130	-
160	140	170	18	26	20	22	65	55	30	26	90	170	-
200	175	170	18	26	25	28	75	60	30	26	9'	170	-

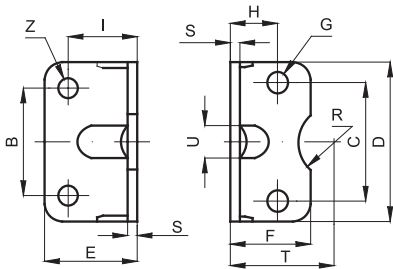
Piedino basso in acciaio - *Steel low foot*

Materiale corpo: Corpo in acciaio AVP, zincatura bianca, viti in acciaio

Body materials: *Body in AVP steel, white zinking, screws in steel*



Acciaio Steel	Codice Code	Articolo Article	Contenuto kit Kit composed by	
	72348	PB032AISOV	1xPB032AISO + 2xVITI	1xPB032AISO + 2xSCREWS
72349	PB040AISOV	1xPB040AISO + 2xVITI	1xPB040AISO + 2xSCREWS	
72350	PB050AISOV	1xPB050AISO + 2xVITI	1xPB050AISO + 2xSCREWS	
72351	PB063AISOV	1xPB063AISO + 2xVITI	1xPB063AISO + 2xSCREWS	
72352	PB080AISOV	1xPB080AISO + 2xVITI	1xPB080AISO + 2xSCREWS	
72353	PB100AISOV	1xPB100AISO + 2xVITI	1xPB100AISO + 2xSCREWS	
72354	PB125AISOV	1xPB125AISO + 2xVITI	1xPB125AISO + 2xSCREWS	
72355	PB160AISOV	1xPB160AISO + 2xVITI	1xPB160AISO + 2xSCREWS	
72356	PB200AISOV	1xPB200AISO + 2xVITI	1xPB200AISO + 2xSCREWS	
72357	PB250AISOV	1xPB250AISO + 2xVITI	1xPB250AISO + 2xSCREWS	
72358	PB320AISOV	1xPB320AISO + 2xVITI	1xPB320AISO + 2xSCREWS	


**Dati tecnici (ISO MS1)
Technical features (ISO MS1)**


Per Ø For Ø	C	B	D	E	F	G	H	I	S	T	R	U	Z	Peso (g) Weight (g)
32	32,5	32	45	35	30	7	15,75	24	4	32	15	11	7	-
40	38	36	52	36	30	7	17	28	4	36	17,5	15	9	-
50	46,5	45	65	47	36	9	21,75	32	5	45	20	16	9	-
63	56,5	50	75	45	35	9	21,75	32	5	50	22,5	18	9	-
80	72	63	95	55	47	11	27	41	6	63	22,5	17	12	-
100	89	75	115	57	53	11	26,5	41	6	71	27,5	24	14	-
125	110	90	140	70	70	14	35	45	8	90	30	-	16	-
160	140	115	180	75	100	18	45	60	9	115	32,5	-	18	-
200	175	135	220	100	100	18	47,5	70	12	135	37,5	-	22	-
250	220	165	270	100	150	22	55	75	14	165	45	-	26	-
320	250	195	320	100	150	22	55	80	18	195	50	-	30	-

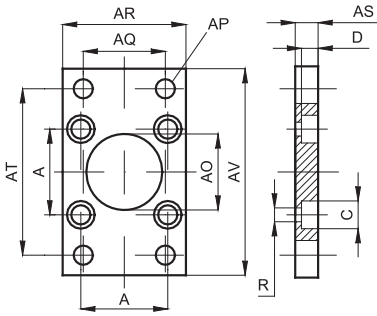
Flangia ISO in alluminio - *Aluminium ISO flange*

Materiale corpo: Corpo in alluminio pressofuso, viti in acciaio

Body materials: *Body die-cast aluminium, screws in steel*



Alluminio Aluminium	Codice Code	Articolo Article	Contenuto kit Kit composed by	
	72304	FLV032ISOV	1xFLV032ISO + 4xVITI	1xFLV032ISO + 4xSCREWS
72305	FLV040ISOV	1xFLV040ISO + 4xVITI	1xFLV040ISO + 4xSCREWS	
72306	FLV050ISOV	1xFLV050ISO + 4xVITI	1xFLV050ISO + 4xSCREWS	
72307	FLV063ISOV	1xFLV063ISO + 4xVITI	1xFLV063ISO + 4xSCREWS	
72308	FLV080ISOV	1xFLV080ISO + 4xVITI	1xFLV080ISO + 4xSCREWS	
72309	FLV100ISOV	1xFLV100ISO + 4xVITI	1xFLV100ISO + 4xSCREWS	
72310	FLV125ISOV	1xFLV125ISO + 4xVITI	1xFLV125ISO + 4xSCREWS	
72311	FLV160ISOV	1xFLV160ISO + 4xVITI	1xFLV160ISO + 4xSCREWS	
72312	FLV200ISOV	1xFLV200ISO + 4xVITI	1xFLV200ISO + 4xSCREWS	



Dati tecnici (VDMA - ISO MF1/MF2) Technical features (VDMA - ISO MF1/MF2)													ISO	VDMA
Per Ø For Ø	A	ØAP	AO	R	AS	AR	AQ	AT	AV	C	D	W	Peso (g) Weight (g)	
32	32,5	7	30	6,5	10	45	32	64	80	10,5	6,5	16	-	
40	38	9	35	6,5	10	52	36	72	90	10,5	6,5	20	-	
50	46,5	9	40	8,5	12	65	45	90	110	13,5	8,5	25	-	
63	56,5	9	45	8,5	12	75	50	100	120	13,5	8,5	25	-	
80	72	12	45	10,5	16	95	63	126	150	16,5	10,5	30	-	
100	89	14	55	10,5	16	115	75	150	170	16,5	10,5	35	-	
125	110	16	60	13,5	20	140	90	180	205	20	12,5	45	-	
160	140	18	65	17	20	180	115	230	260	25	16,5	60	-	
200	175	22	75	17	25	220	135	270	300	25	16,5	70	-	

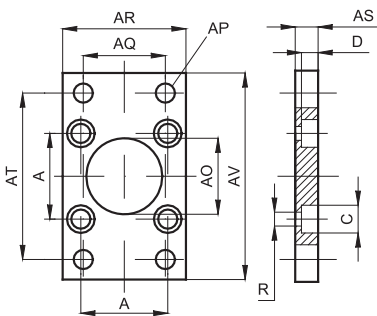
Flangia ISO in acciaio - *Steel ISO flange*

Materiale corpo: Corpo in acciaio AVP, zincatura bianca, viti in acciaio

Body materials: *Body in AVP steel, white zinking, screws in steel*



Acciaio Steel	Codice Code	Articolo Article	Contenuto kit Kit composed by	
	72313	FLV032AISOV	1xFLV032AISO + 4xVITI	1xFLV032AISO + 4xSCREWS
72314	FLV040AISOV	1xFLV040AISO + 4xVITI	1xFLV040AISO + 4xSCREWS	
72315	FLV050AISOV	1xFLV050AISO + 4xVITI	1xFLV050AISO + 4xSCREWS	
72316	FLV063AISOV	1xFLV063AISO + 4xVITI	1xFLV063AISO + 4xSCREWS	
72317	FLV080AISOV	1xFLV080AISO + 4xVITI	1xFLV080AISO + 4xSCREWS	
72318	FLV100AISOV	1xFLV100AISO + 4xVITI	1xFLV100AISO + 4xSCREWS	
72319	FLV125AISOV	1xFLV125AISO + 4xVITI	1xFLV125AISO + 4xSCREWS	
72320	FLV160AISOV	1xFLV160AISO + 4xVITI	1xFLV160AISO + 4xSCREWS	
72321	FLV200AISOV	1xFLV200AISO + 4xVITI	1xFLV200AISO + 4xSCREWS	
72322	FLV250AISOV	1xFLV250AISO + 4xVITI	1xFLV250AISO + 4xSCREWS	
72323	FLV320AISOV	1xFLV320AISO + 4xVITI	1xFLV320AISO + 4xSCREWS	

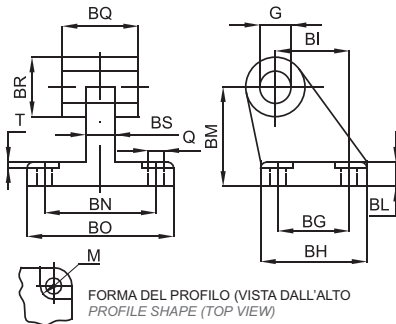


Dati tecnici (VDMA - ISO MF1/MF2) Technical features (VDMA - ISO MF1/MF2)													ISO	VDMA
Per Ø For Ø	A	ØAP	AO	R	AS	AR	AQ	AT	AV	C	D	W	Peso (g) Weight (g)	
32	32,5	7	30	6,5	10	45	32	64	80	10,5	6,5	16	-	
40	38	9	35	6,5	10	52	36	72	90	10,5	6,5	20	-	
50	46,5	9	40	8,5	12	65	45	90	110	13,5	8,5	25	-	
63	56,5	9	45	8,5	12	75	50	100	120	13,5	8,5	25	-	
80	72	12	45	10,5	16	95	63	126	150	16,5	10,5	30	-	
100	89	14	55	10,5	16	115	75	150	170	16,5	10,5	35	-	
125	110	16	60	13,5	20	140	90	180	205	20	12,5	45	-	
160	140	18	65	17	20	180	115	230	260	25	16,5	60	-	
200	175	22	75	17	25	220	135	270	300	25	16,5	70	-	
250	220	26	90	22	25	285	165	330	400	33	14,5	80	-	
320	270	33	110	26	30	350	200	400	470	39	15	90	-	

Articolazione a squadra in alluminio - Aluminium rear 90° hinge

Materiale corpo: Corpo in alluminio pressofuso, viti in acciaio

Body materials: Body die-cast aluminium, screws in steel



Alluminio Aluminium	Codice Code	Articolo Article	Contenuto kit Kit composed by	
	72324	ASV032ISOV	1xASV032ISO + 4xVITI	1xASV032ISO + 4xSCREWS
72325	ASV040ISOV	1xASV040ISO + 4xVITI	1xASV040ISO + 4xSCREWS	
72326	ASV050ISOV	1xASV050ISO + 4xVITI	1xASV050ISO + 4xSCREWS	
72327	ASV063ISOV	1xASV063ISO + 4xVITI	1xASV063ISO + 4xSCREWS	
72328	ASV080ISOV	1xASV080ISO + 4xVITI	1xASV080ISO + 4xSCREWS	
72329	ASV100ISOV	1xASV100ISO + 4xVITI	1xASV100ISO + 4xSCREWS	
72330	ASV125ISOV	1xASV125ISO + 4xVITI	1xASV125ISO + 4xSCREWS	
72331	ASV160ISOV	1xASV160ISO + 4xVITI	1xASV160ISO + 4xSCREWS	
72332	ASV200ISOV	1xASV200ISO + 4xVITI	1xASV200ISO + 4xSCREWS	
72333	ASV250ISOV	1xASV250ISO + 4xVITI	1xASV250ISO + 4xSCREWS	

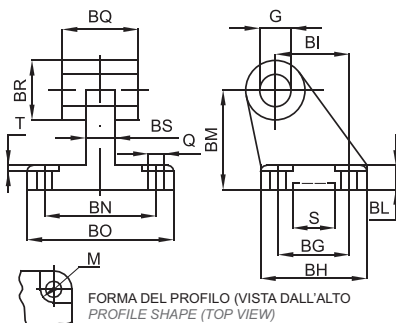
Dati tecnici (CETOP RP 107P - ISO AB7)
Technical features (CETOP RP 107P - ISO AB7)


Per Ø For Ø	Q	M	BG	BH	BI	BL	BM	BN	BO	BS	BR	G	T	BQ	Peso (g) Weight (g)
32	6,6	11	18	31	21	8	32	38	51	10	20	10	1,6	26	-
40	6,6	11	22	35	24	10	36	41	54	15	22	12	1,6	28	-
50	9	15	30	45	33	12	45	50	65	16	26	12	1,6	32	-
63	9	15	35	50	37	14	50	52	67	16	30	16	1,6	40	-
80	11	18	40	60	47	14	63	66	86	20	30	16	2,5	50	-
100	11	18	50	70	55	17	71	76	96	20	38	20	2,5	60	-
125	14	20	60	90	70	20	90	94	124	30	45	25	3,2	70	-
160	14	20	88	126	97	25	115	118	156	36	63	30	4	90	-
200	18	26	90	130	105	30	135	122	162	40	63	30	4	90	-
250	22	33	110	160	128	35	165	150	200	45	80	42	4,5	110	-

Articolazione a squadra in acciaio - Steel rear 90° hinge

Materiale corpo: Corpo in acciaio A 105, cataforesi nera, viti in acciaio

Body materials: Body in steel A 105, black cataphoresis, screws in steel



Acciaio Steel	Codice Code	Articolo Article	Contenuto kit Kit composed by	
	72334	ASV032AISOV	1xASV032AISO + 4xVITI	1xASV032AISO + 4xSCREWS
72335	ASV040AISOV	1xASV040AISO + 4xVITI	1xASV040AISO + 4xSCREWS	
72336	ASV050AISOV	1xASV050AISO + 4xVITI	1xASV050AISO + 4xSCREWS	
72337	ASV063AISOV	1xASV063AISO + 4xVITI	1xASV063AISO + 4xSCREWS	
72338	ASV080AISOV	1xASV080AISO + 4xVITI	1xASV080AISO + 4xSCREWS	
72339	ASV100AISOV	1xASV100AISO + 4xVITI	1xASV100AISO + 4xSCREWS	
72340	ASV125AISOV	1xASV125AISO + 4xVITI	1xASV125AISO + 4xSCREWS	

Dati tecnici (CETOP RP 107P - ISO AB7)
Technical features (CETOP RP 107P - ISO AB7)


Per Ø For Ø	Q	M	BG	BH	BI	BL	BM	BN	BO	BS	BR	G	T	S	BQ	Peso (g) Weight (g)
32	6,6	11	18	31	21	8	32	38	51	10	20	10	6,5	20	26	-
40	6,6	11	22	35	24	10	36	41	54	10	22	12	8,5	20	28	-
50	9	15	30	45	33	12	45	50	65	14	26	12	10,5	20	32	-
63	9	15	35	50	37	12	50	52	67	14	30	16	10,5	20	40	-
80	11	18	40	60	47	14	63	66	86	18	30	16	11,5	20	50	-
100	11	18	50	70	55	15	71	76	96	20	35	20	12,5	20	60	-
125	14	20	60	90	70	20	90	94	124	30	45	25	17	20	70	-

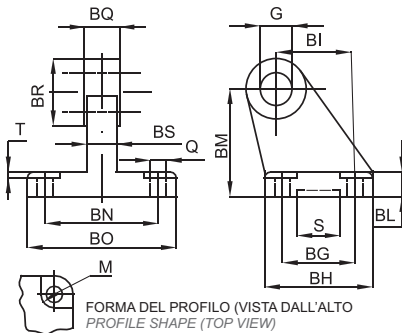
Articolazione a squadra in alluminio per forcelle - *Aluminium rear 90° hinge for clevis*

Materiale corpo: Corpo in alluminio pressofuso, viti in acciaio

Body materials: Body die-cast aluminium, screws in steel



Alluminio Aluminium	Codice Code	Articolo Article	Contenuto kit Kit composed by	
	72425	ASF032ISOV	1xASF032ISO + 4xVITI	1xASF032ISO + 4xSCREWS
72426	ASF040ISOV	1xASF040ISO + 4xVITI	1xASF040ISO + 4xSCREWS	
72427	ASF050ISOV	1xASF050ISO + 4xVITI	1xASF050ISO + 4xSCREWS	
72428	ASF063ISOV	1xASF063ISO + 4xVITI	1xASF063ISO + 4xSCREWS	
72429	ASF080ISOV	1xASF080ISO + 4xVITI	1xASF080ISO + 4xSCREWS	
72430	ASF100ISOV	1xASF100ISO + 4xVITI	1xASF100ISO + 4xSCREWS	
72431	ASF125ISOV	1xASF125ISO + 4xVITI	1xASF125ISO + 4xSCREWS	
72432	ASF160ISOV	1xASF160ISO + 4xVITI	1xASF160ISO + 4xSCREWS	
72433	ASF200ISOV	1xASF200ISO + 4xVITI	1xASF200ISO + 4xSCREWS	
72434	ASF250ISOV	1xASF250ISO + 4xVITI	1xASF250ISO + 4xSCREWS	


 Dati tecnici (CETOP RP 107P)
 Technical features (CETOP RP 107P)


Per Ø For Ø	Q	M	BG	BH	BI	BL	BM	BN	BO	BS	BR	G	S	T	BQ	Peso (g) Weight (g)
32	6,6	11	18	31	21	8	32	38	51	9,4	20	10	20	1,6	10,5	-
40	6,6	11	22	35	24	10	36	41	54	15	-	12	20	1,6	10,5	-
50	9	15	30	45	33	12	45	50	65	15,4	26	12	20	1,6	10,5	-
63	9	15	35	50	37	14	50	52	67	15,4	30	16	20	1,6	10,5	-
80	11	18	40	60	47	14	63	66	86	19,4	30	16	20	2,5	10,5	-
100	11	18	50	70	55	17	71	76	96	19,4	38	20	20	2,5	10,5	-
125	14	20	60	90	70	20	90	94	124	30	45	25	20	3,2	10,5	-
160	14	20	88	126	97	25	115	118	156	36	63	30	20	4	-	-
200	18	26	90	130	105	30	135	122	162	40	63	30	20	4	-	-
250	22	33	110	160	128	35	165	150	200	45	80	42	20	4,5	-	-

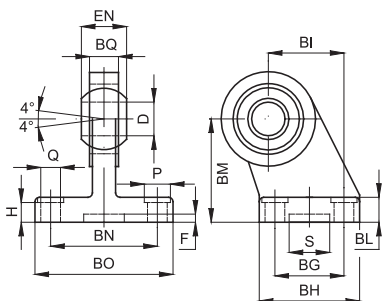
 Articolazione a squadra con snodo in acciaio - *Steel rear rod-eye 90° hinge*

Materiale corpo: Corpo in acciaio A 105, cataforesi nera, viti in acciaio

Body materials: Body in steel A 105, black cataphoresis, screws in steel



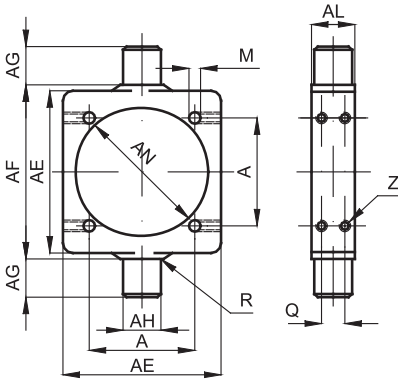
Acciaio Steel	Codice Code	Articolo Article	Contenuto kit Kit composed by	
	72341	ASS032AISOV	1xASS032AISO + 4xVITI	1xASS032AISO + 4xSCREWS
72342	ASS040AISOV	1xASS040AISO + 4xVITI	1xASS040AISO + 4xSCREWS	
72343	ASS050AISOV	1xASS050AISO + 4xVITI	1xASS050AISO + 4xSCREWS	
72344	ASS063AISOV	1xASS063AISO + 4xVITI	1xASS063AISO + 4xSCREWS	
72345	ASS080AISOV	1xASS080AISO + 4xVITI	1xASS080AISO + 4xSCREWS	
72346	ASS100AISOV	1xASS100AISO + 4xVITI	1xASS100AISO + 4xSCREWS	
72347	ASS125AISOV	1xASS125AISO + 4xVITI	1xASS125AISO + 4xSCREWS	


 Dati tecnici (DIN 648K)
 Technical features (DIN 648 K)


Per Ø For Ø	Q	M	BG	BH	BI	BL	BM	BN	BO	EN	ER	BQ	D	H	S	F	Peso (g) Weight (g)
32	6,6	11	18	31	21	10	32	38	51	14	15	10,5	10	8,5	20	3	178
40	6,6	11	22	35	24	10	36	41	54	16	18	12	12	8,5	20	3	268
50	9	15	30	45	33	12	45	50	65	21	20	15	16	10,5	20	3	458
63	9	15	35	50	37	12	50	52	67	21	23	15	16	10,5	20	3	550
80	11	18	40	60	47	14	63	66	86	25	27	18	20	11,5	20	3	970
100	11	18	50	70	55	15	71	76	96	25	30	18	20	12,5	20	3	1326
125	13,5	20	60	90	70	20	90	94	124	37	40	25	30	17	20	3	3000

Cerniera intermedia rotonda regolabile in acciaio - *Steel round adjustable centre trunnion*

Materiale corpo: Corpo in acciaio, zincatura bianca, grani in acciaio
Body materials: Body in steel, white zinking, grains in steel

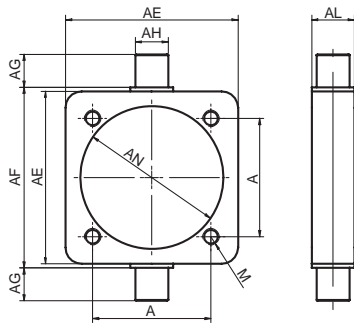


Acciaio Steel	Codice Code	Articolo Article	Contenuto kit Kit composed by	
	72359	CT032AISOGR	1xCT032AISO + 4xGRANI	1xCT032AISO + 4xGRAINS
	72360	CT040AISOGR	1xCT040AISO + 4xGRANI	1xCT040AISO + 4xGRAINS
	72361	CT050AISOGR	1xCT050AISO + 4xGRANI	1xCT050AISO + 4xGRAINS
	72362	CT063AISOGR	1xCT063AISO + 4xGRANI	1xCT063AISO + 4xGRAINS
	72363	CT080AISOGR	1xCT080AISO + 4xGRANI	1xCT080AISO + 4xGRAINS
	72364	CT100AISOGR	1xCT100AISO + 4xGRANI	1xCT100AISO + 4xGRAINS
	72365	CT125AISOGR	1xCT125AISO + 4xGRANI	1xCT125AISO + 4xGRAINS
	72366	CT160AISOGR	1xCT160AISO + 4xGRANI	1xCT160AISO + 4xGRAINS
72367	CT200AISOGR	1xCT200AISO + 4xGRANI	1xCT200AISO + 4xGRAINS	

Dati tecnici (ISO MT4) Technical features (ISO MT4)													ISO
Per Ø For Ø	A	AE	AL	AH	AG	AF	AN	R	M	Q	Z	Peso (g) Weight (g)	
32	32,5	46	15	12	12	50	37	1	6,25	7	M5	110	
40	38	59	20	16	16	63	46	1,5	6,25	8	M5	290	
50	46,5	69	20	16	16	75	56	1,6	8,25	8	M6	330	
63	56,5	84	25	20	20	90	69	1,6	8,25	12	M6	650	
80	72	102	25	20	20	110	87	1,6	10,25	12	M8	830	
100	89	125	30	25	25	132	107	2	10,25	15	M8	1560	
125	110	155	32	25	25	160	133	2	12,25	15	M10	2450	
160	140	190	40	32	32	200	170	2,5	16,25	18	M12	4150	
200	175	240	40	32	32	250	211	2,5	16,25	18	M12	7300	

Cerniera intermedia rotonda filettata in acciaio - *Steel round threaded centre trunnion*

Materiale corpo: Corpo in acciaio, zincatura bianca.
Body materials: Body in steel, white zinking.



Acciaio Steel	Codice Code	Articolo Article	Contenuto kit Kit composed by	
	72370	CTN032AISO	1xCTN032AISO	1xCTN032AISO
	72371	CTN040AISO	1xCTN040AISO	1xCTN040AISO
	72372	CTN050AISO	1xCTN050AISO	1xCTN050AISO
	72373	CTN063AISO	1xCTN063AISO	1xCTN063AISO
	72374	CTN080AISO	1xCTN080AISO	1xCTN080AISO
	72375	CTN100AISO	1xCTN100AISO	1xCTN100AISO
	72376	CTN125AISO	1xCTN125AISO	1xCTN125AISO
	72377	CTN160AISO	1xCTN160AISO	1xCTN160AISO
	72378	CTN200AISO	1xCTN200AISO	1xCTN200AISO
	72379	CTN250AISO	1xCTN250AISO	1xCTN250AISO
72380	CTN320AISO	1xCTN320AISO	1xCTN320AISO	

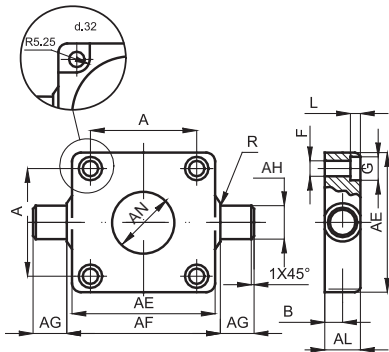
Dati tecnici (ISO MT4) Technical features (ISO MT4)										ISO
Per Ø For Ø	A	AE	AL	AH	AG	AF	AN	M	Peso (g) Weight (g)	
32	32,5	46	15	12	12	50	37	M6	110	
40	38	59	20	16	16	63	46	M6	290	
50	46,5	69	20	16	16	75	56	M8	330	
63	56,5	84	25	20	20	90	69	M8	650	
80	72	102	25	20	20	110	87	M10	830	
100	89	125	30	25	25	132	107	M10	1560	
125	110	155	32	25	25	160	133	M12	2450	
160	140	190	40	32	32	200	170	M16	4150	
200	175	240	40	32	32	250	211	M16	7300	
250	220	296	50	40	40	320	268	M20	13050	
320	270	370	60	50	50	400	343	M24	-	

Cerniera per testate in acciaio - *Steel head trunnion*

Materiale corpo: Corpo in acciaio, zincatura bianca, viti in acciaio
Body materials: Body in steel, white zinking, screws in steel



Acciaio Steel	Codice Code	Articolo Article	Contenuto kit Kit composed by	
	72381	CTA032AISOV	1xCTA032AISO + 4xVITI	1xCTA032AISO + 4xSCREWS
	72382	CTA040AISOV	1xCTA040AISO + 4xVITI	1xCTA040AISO + 4xSCREWS
	72383	CTA050AISOV	1xCTA050AISO + 4xVITI	1xCTA050AISO + 4xSCREWS
	72384	CTA063AISOV	1xCTA063AISO + 4xVITI	1xCTA063AISO + 4xSCREWS
	72385	CTA080AISOV	1xCTA080AISO + 4xVITI	1xCTA080AISO + 4xSCREWS
	72386	CTA100AISOV	1xCTA100AISO + 4xVITI	1xCTA100AISO + 4xSCREWS
	72387	CTA125AISOV	1xCTA125AISO + 4xVITI	1xCTA125AISO + 4xSCREWS
	72416	CTA160AISOV	1xCTA160AISO + 4xVITI	1xCTA160AISO + 4xSCREWS
72417	CTA200AISOV	1xCTA200AISO + 4xVITI	1xCTA200AISO + 4xSCREWS	



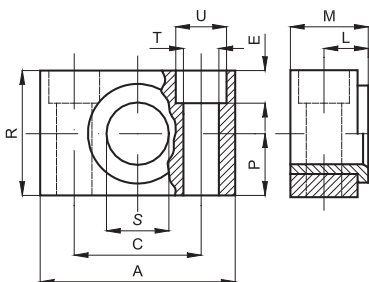
Dati tecnici Technical features													
Per Ø For Ø	AE	AL	AH	AG	AF	AN	A	B	F	G	L	R	Peso (g) Weight (g)
32	46	14	12	12	50	30	32,5	6,5	6,5	-	6	1	137
40	59	19	16	16	63	35	38	9	6,5	10,5	6	1,6	385
50	69	19	16	16	75	40	46,5	9	8,5	13,5	8	1,6	513
63	84	24	20	20	90	45	56,5	11,5	8,5	13,5	8	1,6	1041
80	102	24	20	20	110	45	72	11,5	10,5	16,5	10	1,6	1567
100	125	29	25	25	132	55	89	14	10,5	16,5	10	2	2400
125	-	155	32	25	160	133	110	-	13,5	20	12	2	3000
160	-	190	40	32	200	170	140	-	17	25	16	2,5	4150
200	-	240	40	32	250	211	175	-	17	25	16	2,5	7350

Supporto per cerniera intermedia in acciaio - *Steel support for center trunnion*

Materiale corpo: Corpo in Fe 37
Body materials: Body in Fe 37



Acciaio Steel	Codice Code	Articolo Article	Contenuto kit Kit composed by	
	72388	ST032AISO	1xST032AISO	1xST032AISO
	72389	ST040-050AISO	1xST040-050AISO	1xST040-050AISO
	72390	ST063-080AISO	1xST063-080AISO	1xST063-080AISO
	72391	ST100-125AISO	1xST100-125AISO	1xST100-125AISO
	72392	ST160-200AISO	1xST160-200AISO	1xST160-200AISO
	72414	ST250AISO	1xST250AISO	1xST250AISO
	72415	ST320AISO	1xST320AISO	1xST320AISO



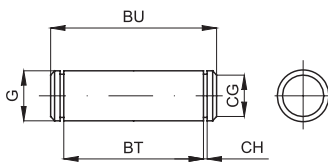
Dati tecnici (ISO AT4) Technical features (ISO AT4)											ISO	Peso (g) Weight (g)
Per Ø For Ø	A	M	R	P	C	S	L	U	T	E		
32	46	18	30	15	32	12	10,5	11	6,6	7	100	
40-50	55	21	36	18	36	16	12	15	9	9	150	
63-80	65	23	40	20	42	20	13	18	11	11	234	
100-125	75	28,5	50	25	50	25	16	20	14	13	435	
160-200	92	40	60	30	60	32	22,5	26	18	17	850	
250	140	56	70	35	90	40	31	33	22	20	2750	
320	150	60	80	40	100	50	32,5	39	26	22,5	3520	

Perno in acciaio - Steel pin

Materiale corpo: Corpo in acciaio AVP
 Body materials: Body in AVP steel



Acciaio Steel	Codice Code	Articolo Article	Contenuto kit Kit composed by	
	72393	SEC032AISO	1xSEC032AISO + 2xSEEGER	1xSEC032AISO + 2xSEEGER
	72394	SEC040AISO	1xSEC040AISO + 2xSEEGER	1xSEC040AISO + 2xSEEGER
	72395	SEC050AISO	1xSEC050AISO + 2xSEEGER	1xSEC050AISO + 2xSEEGER
	72396	SEC063AISO	1xSEC063AISO + 2xSEEGER	1xSEC063AISO + 2xSEEGER
	72397	SEC080AISO	1xSEC080AISO + 2xSEEGER	1xSEC080AISO + 2xSEEGER
	72398	SEC100AISO	1xSEC100AISO + 2xSEEGER	1xSEC100AISO + 2xSEEGER
	72399	SEC125AISO	1xSEC125AISO + 2xSEEGER	1xSEC125AISO + 2xSEEGER
	72400	SEC160AISO	1xSEC160AISO + 2xSEEGER	1xSEC160AISO + 2xSEEGER
	72401	SEC200AISO	1xSEC200AISO + 2xSEEGER	1xSEC200AISO + 2xSEEGER
72402	SEC250AISO	1xSEC250AISO + 2xSEEGER	1xSEC250AISO + 2xSEEGER	
72403	SEC320AISO	1xSEC320AISO + 2xSEEGER	1xSEC320AISO + 2xSEEGER	

**Dati tecnici (ISO AA4)
 Technical features (ISO AA4)**


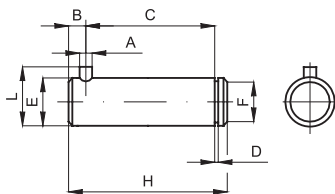
Per Ø For Ø	G	BT	CG	CH	BU	Peso (g) Weight (g)
32	10	46	9,6	1,1	53	32
40	12	53	11,5	1,1	60	52
50	12	61	11,5	1,1	68	60
63	16	71	15,2	1,1	78	122
80	16	91	15,2	1,1	98	152
100	20	111	19	1,3	118	290
125	25	132	23,9	1,3	139	530
160	30	171,5	28,6	1,6	178	978
200	30	171,5	28,6	1,6	178	978
250	40	202	37,5	1,85	211	2100
320	45	222	42,5	1,85	236	2950

Perno antirotazione in acciaio - Steel anti-rotating pin

Materiale corpo: Corpo in acciaio AVP
 Body materials: Body in AVP steel



Acciaio Steel	Codice Code	Articolo Article	Contenuto kit Kit composed by	
	72404	SECAR032AISO	1xSECAR032AISO + 1xSEEGER	1xSECAR032AISO + 1xSEEGER
	72405	SECAR040AISO	1xSECAR040AISO + 1xSEEGER	1xSECAR040AISO + 1xSEEGER
	72406	SECAR050AISO	1xSECAR050AISO + 1xSEEGER	1xSECAR050AISO + 1xSEEGER
	72407	SECAR063AISO	1xSECAR063AISO + 1xSEEGER	1xSECAR063AISO + 1xSEEGER
	72408	SECAR080AISO	1xSECAR080AISO + 1xSEEGER	1xSECAR080AISO + 1xSEEGER
	72409	SECAR100AISO	1xSECAR100AISO + 1xSEEGER	1xSECAR100AISO + 1xSEEGER
	72410	SECAR125AISO	1xSECAR125AISO + 1xSEEGER	1xSECAR125AISO + 1xSEEGER
	72411	SECAR160AISO	1xSECAR160AISO + 1xSEEGER	1xSECAR160AISO + 1xSEEGER
	72412	SECAR200AISO	1xSECAR200AISO + 1xSEEGER	1xSECAR200AISO + 1xSEEGER
72413	SECAR250AISO	1xSECAR250AISO + 1xSEEGER	1xSECAR250AISO + 1xSEEGER	

**Dati tecnici (ISO AA6)
 Technical features (ISO AA6)**


Per Ø For Ø	A	C	D	E	F	G	H	L	B		Peso (g) Weight (g)
32	3	32,5	1,1	10	9,6	4	41	14	4,5		26
40	4	38	1,1	12	11,5	4	48	16	6		42
50	4	43	1,1	16	15,2	5	54	20	6	0	84
63	4	49	1,1	16	15,2	5	60	20	6	-1	94
80	4	63	1,3	20	19	6	75	24	6		184
100	4	73	1,3	20	19	6	85	24	6		208
125	6	94	1,6	30	28,6	7	110	36	9		606
160	6	119	1,6	35	33	7	135	41	9	0	972
200	6	119	1,6	35	33	7	135	41	9	-2	972
250	8	121	1,85	40	37,5	7	140	48	12		1362