

**Silenziatori plastici serie S19 - SN19**
*Plastic silencers series S19 - SN19*

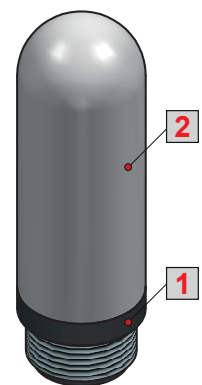

<b>Pressione</b> Pressure		<b>0 ÷ 10 bar</b> 0 ÷ 145 psi
<b>Temperatura</b> Temperature		<b>-20°C ÷ +80°C</b> -4°F ÷ +176°F
<b>Porosità</b> Porosity		<b>50 µm</b> 50 µm

**Caratteristiche tecniche / Technical Features**

<b>Taglia</b> <i>Size</i>	M5	1/8"	1/4"	3/8"	1/2"	3/4"	1"
<b>Fluido</b> <i>Fluid</i>	Aria compressa <i>Compressed air</i>						
<b>Pressione d'esercizio (bar)</b> <i>Pressure range (bar)</i>	0 ÷ 10						
<b>Temperatura d'esercizio</b> <i>Temperature range</i>	-20°C ÷ +80°C						
<b>Porosità parte filtrante (µm)</b> <i>Filter porosity (µm)</i>	50						
<b>Filettature cilindriche</b> <i>BSP threads</i>	UNI-ISO 228/1						
<b>Filettature metriche</b> <i>Metric threads</i>	UNI EN ISO 965-1						
<b>Filettature NPT</b> <i>NPT threads</i>	ANSI B 1.20.1						

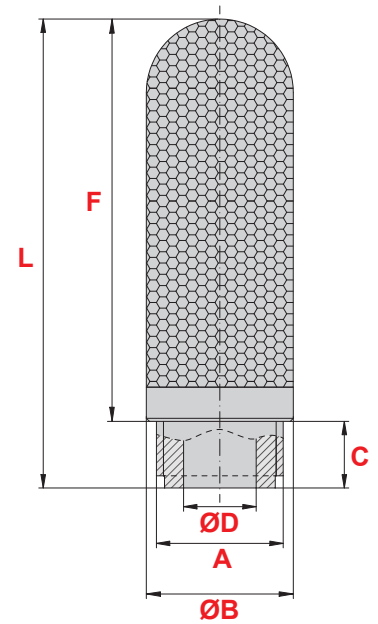
**Materiali standard / Standard materials**

<b>1</b>	<b>Nipplo</b> <i>Nipple</i>	Polietilene / <i>Polyethylene</i>
<b>2</b>	<b>Parte filtrante</b> <i>Filter</i>	Polietilene poroso / <i>Porous polyethylene</i>



**Dimensioni standard tipo S19 / Standard dimensions type S19**

Codice Code	Articolo Item	A	ØB	C	ØD	F	L
10138D	S19M5	M5x0,8	7	4	3	18	22
10139D	S1918	G1/8"	13	7	5	28	35
10140D	S1914	G1/4"	17	9	8	34	43
10141D	S1938	G3/8"	20	11	10	56	67
10142D	S1912	G1/2"	25	11	12	67	78
10143D	S1934	G3/4"	38	16	16	116	131
10144D	S1901	G1"	48	20	22	140	160


**Dimensioni standard tipo SN19 / Standard dimensions type SN19**

Codice Code	Articolo Item	A	ØB	C	D	F	L
10139ND	SN1918	1/8" NPT	13	7	5	28	35
10140ND	SN1914	1/4" NPT	17	9	8	34	43
10141ND	SN1938	3/8" NPT	20	11	10	56	67
10142ND	SN1912	1/2" NPT	25	11	12	67	78
10143ND	SN1934	3/4" NPT	38	16	16	116	131
10144ND	SN1901	1" NPT	48	20	22	140	160

